

Instructions for use

Attachments and  
Instruments

 **instant**

Reference no.:  
Approval date:

**PROSPINST\_rev.9\_(01\_2023)\_EN**  
**2023.01.20**

## 1. LABEL SYMBOLS GUIDE



**Commercial reference no.:**

Composed of three letters, a space and digits (e.g. FPT 04260)



**Batch number:**

Insert the 7-digit product batch number below the symbol.



**e-IFU link:**

<http://www.dentalinstant.com>

These instructions for use are electronic and are not enclosed in paper format. They are intended for healthcare practitioners. The instructions can be downloaded from the Downloads section of the website.



**Unsterilised:**

Attachments and instruments are supplied unsterilised.



**Warning:**

Do not use it without first reading the instructions for use.



**Disposable:**

The reuse and/or reprocessing of disposable products may lead to a loss of product functionality and/or safety and potentially cause issues for the patient.



**CE 0123** means that it is TUV SUD-certified.



**Date of manufacture:**

Followed by 7 identifying digits, YYYY-MM where YYYY is the year and MM is the month of manufacture (e.g. 2019-01)



**Manufacturer:**

**GS Impladental, S.L.**

P.I. Mas d'en Cisa, Gato Pérez 3-9, 08181 Sentmenat, Barcelona (Spain).

## 2. DESCRIPTION OF THE MEDICAL DEVICE

### **INSTANT FLEXIBLE ABUTMENT (Ref.: IPF XXXXX):**

The "flexible abutment" is composed of two parts:

- A. A transgingival abutment
- B. An abutment screw

The "flexible abutment" is a transgingival component that is connected to the implant and supports all of the attachments and reconstructions.

The transgingival abutment and abutment screw are made of grade 5 titanium and, once assembled, they form the flexible abutment.

The two parts are provided in the same packaging, but they are **not** supplied assembled.

The INSTANT system's abutment prosthetics serve a specific clinical function in the process of creating prostheses on implants. Depending on how they are being used, they are connected to the "flexible abutment" using a metal-to-metal click-on system or they are screwed in.

3

### **INSTANT FLEXIBLE ABUTMENT COMPACT SCREW (Ref.: ITH XXXXX):**

The "compact screw" for the "flexible abutment" is an optional part that is available as a consumable, to replace the "flexible abutment's" original screw during maintenance of the prosthetic reconstruction.

The abutment screw is made of grade 5 titanium.

Depending on how it is being used, it no longer needs to be connected via the metal-to-metal click-on system, so it is the exact same size as the original screw, with no upper crown area. The prosthetic reconstruction is screwed into it with the "clinical screw".

### **INSTANT ANGLED FLEXIBLE ABUTMENT (Ref.: IPF XXXXX):**

The "angled flexible abutment" is composed of three parts:

- A. An angled transgingival abutment
- B. An abutment screw
- C. A screw-retained crown with a pressure retention system

The "angled flexible abutment" is a transgingival part that is connected to the implant and supports all of the attachments and reconstructions.

The transgingival abutment, crown and abutment screw are made of grade 5 titanium and, once assembled, they form the "angled flexible abutment".

The three parts are provided in the same packaging, but they are **not** supplied assembled.

The INSTANT system's abutment prosthetics serve a specific clinical function in the process of creating prostheses on implants.

Depending on how they are being used, the attachments are connected to the "angled flexible abutment" using a metal-to-metal click-on system between the crown that is screwed into the "angled flexible abutment" and the attachment, or by screwing the attachment directly into the "angled flexible abutment".

### **INSTANT FLEXIBLE ABUTMENT POSITIONER (Ref.: IAP 00XXX):**

The "flexible abutment positioner" is used to place the "flexible abutment" in the correct position on the implant. 4

---

### **INSTANT RESIN ABUTMENT (Ref.: IPR XXXX):**

"Resin abutments" are temporary abutments that serve as the base for temporary screw-retained restorations, chiefly for resin-based restorations.

"Resin abutments" are made of grade 5 titanium.

"Resin abutments" are available in two heights, short and medium.

The short version is sold together with a "clinical screw" in the same packaging.

### **INSTANT CLINICAL SCREW (Ref.: ICL 00001):**

A screw that connects the "resin abutment" to the screw of the "flexible abutment".

"Clinical screws" are made of grade 5 titanium.

### **INSTANT CLINICAL SCREW FOR ANGLED ABUTMENTS (Ref.: ICLA 00001):**

A screw that connects the "resin abutment" to the "angled flexible abutment" .

"Clinical screws for angled abutments" are made of grade 5 titanium.

**INSTANT RESIN ABUTMENT HOLDER (Ref.: IPP 00002):**

A tool used to carry the "resin abutment" and place it in position in the mouth. The "resin abutment holder" is made of grade 5 titanium.

**RETAINING TRANSFER (Ref.: ITS 00XXX):**

An attachment which, once connected to the upper part of the "flexible abutment" with a click inside the oral cavity, serves to transfer the position of the "flexible abutment" in the biological environment to a working laboratory model (normally made of silicone). This is achieved using impression materials which, when placed on a suitable tray, harden inside the oral cavity, with the "transfer" being secured inside it.

When the tray is removed from the mouth, a replica of the implant is fixed to the model. A plaster copy is made of the model with the replicas. At the end of the process, a replica is obtained with the original position of the implant in the mouth.

**CLINICAL RETAINING SCANBODY (Ref.: ICS 20XS):**

This component serves as a scanning abutment for digital scanners, digitally recording its position and angle. It is connected to the flexible abutment using a clinical screw.

5

**CLINICAL ANALOGUE (Ref.: IAN 20X):**

The analogue for straight and angled "flexible abutments" replicates the shape and connection of straight and angled flexible abutments. It is designed to replicate the implant's position in the mouth and transfer it to a working impression model.

### 3. INDICATIONS AND INTENDED USE

Once screwed into the corresponding dental implant, the "flexible abutment" allows you to connect most of the INSTANT "flexible abutment" system's attachments with a click, with no need for screws.

This component is indicated for creating dental prostheses on implants and each of the steps that this requires:

- Impression taking
- Model casting
- Provisional prosthesis
- Definitive prosthesis
- Immediate loading
- CAD/CAM procedures

The diameter of each INSTANT flexible abutment or attachment is specified on its label via the symbols **D3**, **D4**, **D4A**, **D5** and **D6**.

This symbol determines whether they can be connected together.

Components not identified in this manner can be connected to various INSTANT platforms.

6

As well as being identified on the packaging, some INSTANT components are colour-coded so that they can be easily and quickly identified, following the symbol and colour nomenclature in **Table 1**.

	D3	D4	D4A	D5	D6
Ø [mm]	3 - 3.5	4.00	4.80	5.00	6.00
Colour	Magenta	Blue	Green	Yellow	Brown

**Table 1.** Diameter and colour specification for the INSTANT system.

#### 4. CONTRAINDICATIONS

Use of this product is restricted to qualified dental professionals. This product has the inherent contraindications of any element used to create a dental prosthesis, the material with which it is manufactured and the patient for whom it is being used.

#### 5. STERILISATION AND STORAGE INSTRUCTIONS

- INSTANT system products are supplied clean, but they are **NOT** sterilised.
- Do not use products whose packaging has been damaged or previously opened.
- The product must be stored in a dry place, away from any adverse conditions.

The INSTANT system's components must be cleaned, disinfected and/or sterilised before use. It is also necessary to clean, disinfect and sterilise any reusable instruments and components after use.

##### STERILISING THE UNITS

It is recommended to sterilise the metal product in a steam autoclave, in a sterilising cycle at a temperature of 134°C for at least 6 minutes, followed by 20 minutes of drying. Do not remove the sterilised product until the drying cycle is complete. It is recommended to use sterilisation indicators, recording the current date and expiry date, as well as performing regular checks on the sterilisation process using biological indicators. The product must be removed from its packaging before being sterilised.

7

##### IMPORTANT

Do not use dry heat sterilisers, as they can damage metal and plastic products.

## 6. INSTANT COMPONENTS

### INSTANT FLEXIBLE ABUTMENT

INSTANT "flexible abutments" are identified according to their diameter.

Any INSTANT component labelled with the same diameter can be connected to the selected abutment.

See the "Abutments and connections table" to make the selection.

INSTANT "flexible abutment" screws are colour-coded to match their diameter, as well as being identified on the label, as per the following table:

Height 1 mm	D3	D4	D4A	D5	D6
Ø [mm]	3 - 3.5	4.00	4.80	5.00	6.00
Colour	Magenta	Blue	Green	Yellow	Brown
Ref.	--	IPF 06140	--	--	--

Height 2 mm	D3	D4	D4A	D5	D6
Ø [mm]	3 - 3.5	4.00	4.80	5.00	6.00
Colour	Magenta	Blue	Green	Yellow	Brown
Ref.	IPF 03235	IPF 03240	IPFA 03240	IPF 04250	IPF 04260
	IPF 15235	IPF 05242	IPFA 05242	IPF 15255	--
	IPF 05231	IPF 05240	IPFA 05240	IPF 05251	--
	IPF 00230	IPF 15245	IPFA 15255	--	--
	--	IPF 00240	--	--	--
	--	IPF 13240	--	--	--
	--	IPF 08240	--	--	--
	--	IPF 06150	--	--	--

Height 4 mm	D3	D4	D4A	D5	D6
Ø [mm]	3 - 3.5	4.00	4.80	5.00	6.00
Colour	Magenta	Blue	Green	Yellow	Brown
Ref.	IPF 03435	IPF 03440	IPFA 03440	IPF 04450	IPF 04460
	IPF 15435	IPF 05442	IPFA 05442	IPF 15455	--
	IPF 05431	IPF 05440	IPFA 05440	IPF 05451	--
	IPF 00430	IPF 15445	IPFA 15455	--	--
	--	IPF 00440	--	--	--
	--	IPF 13440	--	--	--
	--	IPF 08440	--	--	--
	--	IPF 06160	--	--	--

The height and diameter of each INSTANT "flexible abutment" are specified on the labelling.

A standard driver tip with 1.25 mm across the flats is used to screw in the flexible abutment.



The maximum recommended torque applicable to INSTANT "flexible abutments" is specified in the Torques table below:

Abutment	D3	D4	D4A	D5	D6
Torque	15 N.cm	25 N.cm	25 N.cm	30 N.cm	30 N.cm

### INSTANT FLEXIBLE ABUTMENT COMPACT SCREW

"Compact screws" for INSTANT "flexible abutments" are not colour-coded to match their diameter, to simplify the reduction of references. See the "Abutments and connections table" to make the selection.






The maximum recommended torque applicable to INSTANT "compact screws" is as specified in each case for "flexible abutments" on the Torques table.

Commercial reference no.	Description
<b>ITH 90181</b>	COMPACT SCREW FOR IPF 05231
<b>ITH 90182</b>	COMPACT SCREW FOR IPF 05431 - IPF 15255 - IPF 15245 – IPF 15235-IPF 06150
<b>ITH 90205</b>	COMPACT SCREW FOR IPF 05251
<b>ITH 90202</b>	COMPACT SCREW FOR IPF 05451
<b>ITH 90201</b>	COMPACT SCREW FOR IPF 05242 - IPF 04250 - IPF 04260 – IPF 05240
<b>ITH 90203</b>	COMPACT SCREW FOR IPF 05442 - IPF 04450 - IPF 04460 – IPF 05440
<b>ITH 91625</b>	COMPACT SCREW FOR IPF 03235 - IPF 03240 - IPF 13240
<b>ITH 91635</b>	COMPACT SCREW FOR IPF 03435 - IPF 03440 - IPF 13440
<b>ITH 90183</b>	COMPACT SCREW FOR IPF 15455 - IPF 15445 - IPF 15435 – IPF 06160
<b>ITH 916155</b>	COMPACT SCREW FOR IPF 08240
<b>ITH 916255</b>	COMPACT SCREW FOR IPF 08440



**INSTANT RESIN ABUTMENT**

The resin abutment is an abutment prosthetic which is intended to serve as a base for temporary restorations made with resin. It is connected to the flexible abutment via a metal-to-metal click-on system and it allows temporary resin-based restorations to be made with immediate loading. There is a holder for ease of use.

	D3	D4	D4A	D5	D6
					
Colour	Magenta	Blue	Green	Yellow	Brown
ANTI-ROTATIONAL	IPR 10350	IPR 10400	N/A	IPR 10500	IPR 10600
ROTATIONAL	IPR 10351	IPR 10401	IPRA 00401	IPR 10501	IPR 10601
Height	7 mm	7 mm	7 mm	7 mm	7 mm

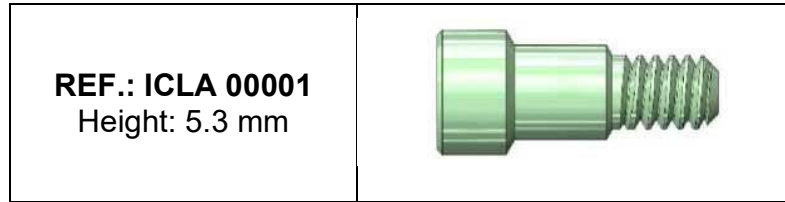
Colour	Magenta	Blue		Yellow	
ANTI-ROTATIONAL	IPR 20350	IPR 20400		IPR 20500	
ROTATIONAL	IPR 20351	IPR 20401		IPR 20501	
Height	3.72 mm	3.72 mm		3.72 mm	

**INSTANT CLINICAL SCREW**

Screw that fixes the prosthesis to the INSTANT "flexible abutment".

<p><b>REF.: ICL 00001</b> Height: 3.8 mm</p>	
--	--

Screw that fixes the prosthesis to the INSTANT "angled flexible abutment".



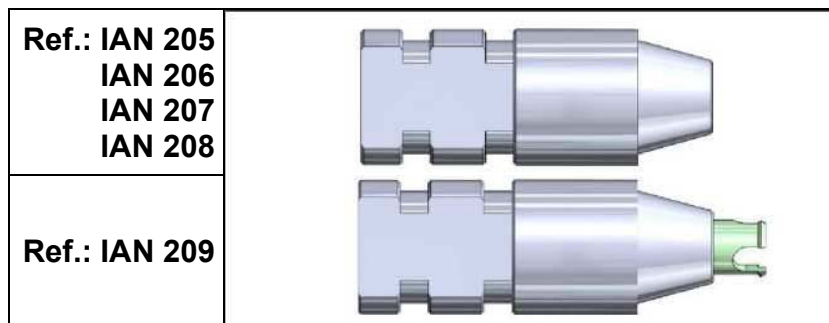
**INSTANT RESIN ABUTMENT HOLDER**

The "resin abutment holder" is an accessory that is screwed into the top of the abutment and enables the correct placement of a "resin abutment" in the mouth.



**INSTANT ABUTMENT ANALOGUE**

INSTANT "analogues" replicate the upper connection of "flexible abutments".



### INSTANT FLEXIBLE ABUTMENT POSITIONER


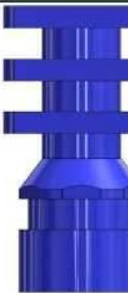
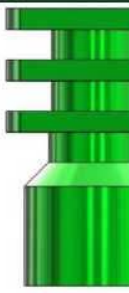

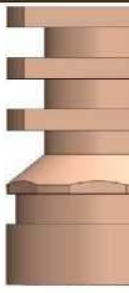
A component used to adjust the position of the "flexible abutment" to connect it to the corresponding implant. It can be reused after being properly sterilised.

	D3	D4	D5	D6
Flexible abutment holder				
Colour	Magenta	Blue	Yellow	Brown
Reference no.	IPP 00350	IPP 00400	IPP 00500	IPP 00600
Height	12 mm			

### INSTANT RETAINING TRANSFER






Component that transfers the position of the "flexible abutment" from the biological environment to a working laboratory model.

12

	D3	D4	D4A	D5	D6
Retaining transfer					
Colour	Magenta	Blue	Green	Yellow	Brown
ANTI-ROTATIONAL	ITS 00350	ITS 00400	N/A	ITS 00500	ITS 00600
ROTATIONAL	ITS 00351	ITS 00401	ITSA 00401	ITS 00501	ITS 00601
Height	9.2 mm				

**INSTANT CLINICAL SCANBODY**

"Scanbody" for dental scanners, digitally recording the position and angle.

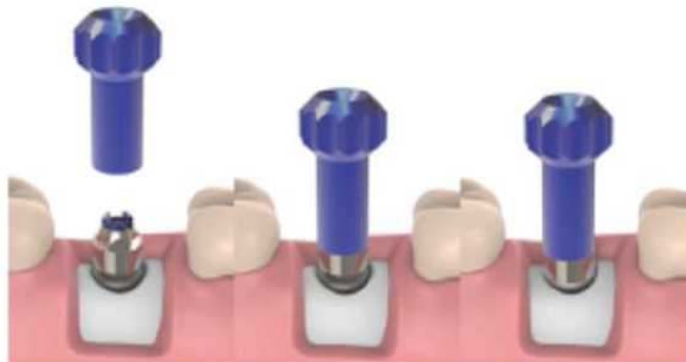
	D3	D4	D4A	D5	D6
Scanbody					
REFERENCE NO.	ICS 205S	ICS 206S	ICSA 209S	ICS 207S	ITS 208S
Height	8 mm				

**7. FLEXIBLE ABUTMENT PLACEMENT SEQUENCE**

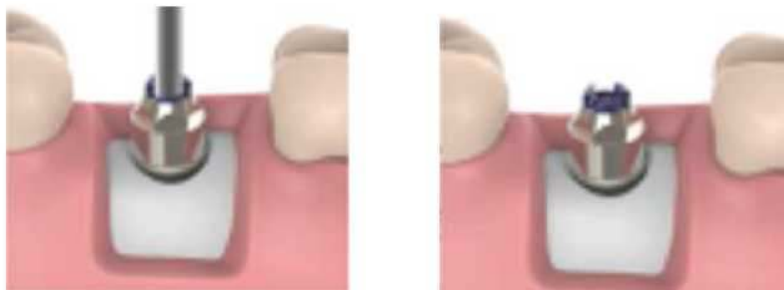
1. Select an abutment that is suitable for the implant system being used.
2. Use the standard driver tip (1.25 mm across the flats) to carry the "flexible abutment" and screw it in.



3. If there are any problems fitting the abutment during placement, use the "flexible abutment positioner" to adjust the abutment's position.

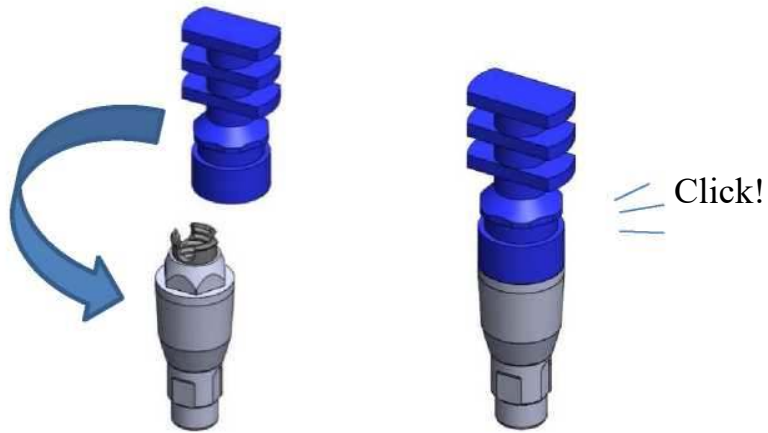


4. Screw in the "flexible abutment" at the torque setting recommended on the Torques table in this document, with a dynamometric wrench.



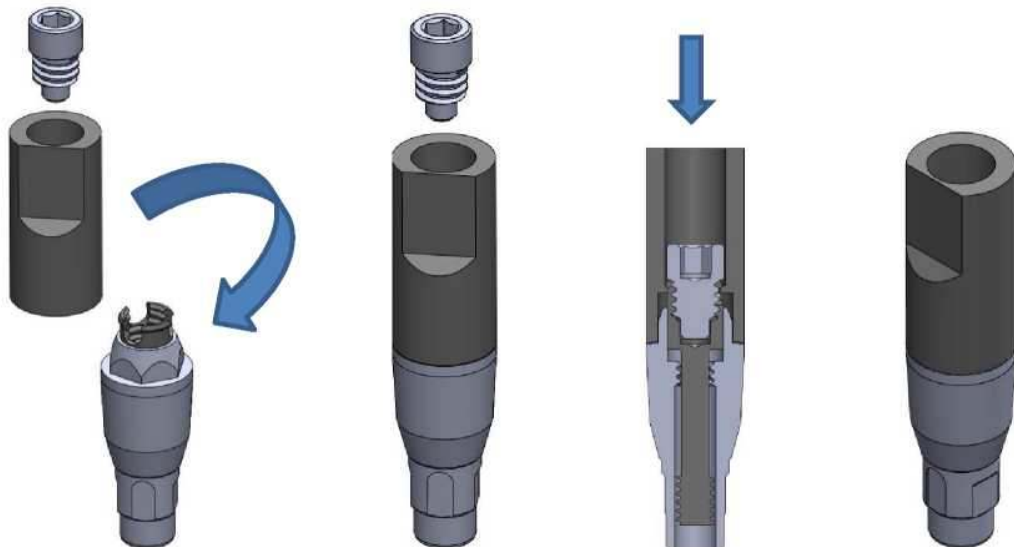
**8. RETAINING TRANSFER PLACEMENT**

Placement of "retaining transfers" is very easy. You must simply position it on the "flexible abutment" and apply pressure until you hear a "click".

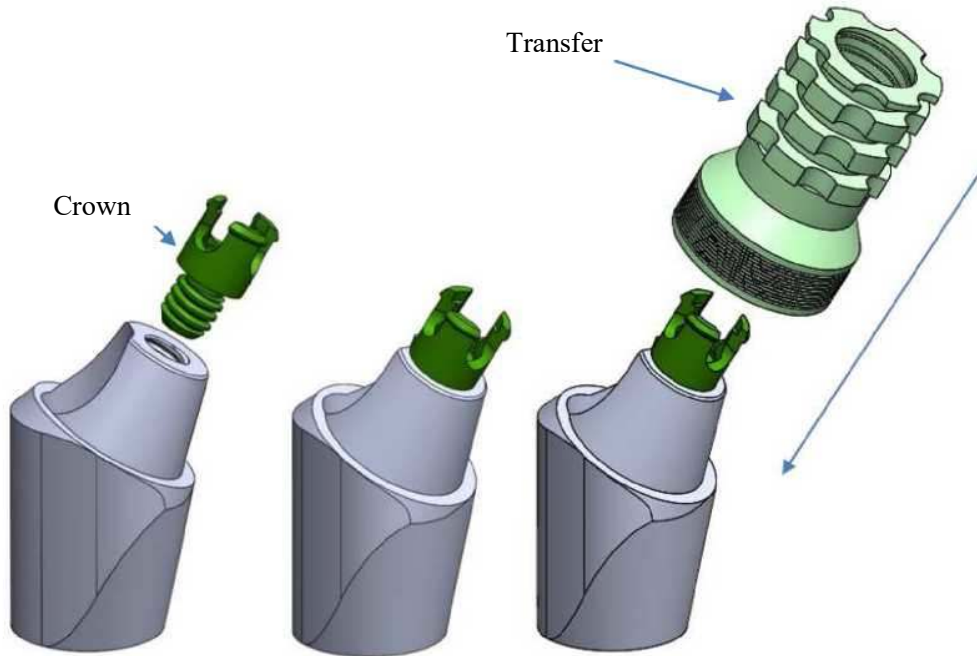


**9. CLINICAL SCANBODY PLACEMENT**


Place the "scanbody" on the "flexible abutment", insert the clinical screw into the hole at the top and screw it in using a 1.25 mm driver tip.



**10. ASSEMBLY OF CROWN AND ATTACHMENTS FOR ANGLED ABUTMENTS**



**11 RECOMMENDED CONNECTIONS**

RECOMMENDED CONNECTION	DESCRIPCIÓN	CIAL. REF.	PLATF.		SCREW COMPACT
AVINENT INTERNAL CONNECTION 3.5 - 4.1	FLEXIBLE ABUTMENT 2 mm	IPF 15235	<b>D3</b>	15 N.cm	<b>ITH 90182</b>
	FLEXIBLE ABUTMENT 4 mm	IPF 15435	<b>D3</b>	15 N.cm	<b>ITH 90183</b>
	FLEXIBLE ABUTMENT 2 mm	IPF 15245	<b>D4</b>	25 N.cm	<b>ITH 90182</b>



	FLEXIBLE ABUTMENT 4 mm	IPF 15445	D4	25 N.cm	ITH 90183
BIOHORIZONS TAPERED INTERNAL 3.5	FLEXIBLE ABUTMENT 2 mm	IPF 15245	D4	25 N.cm	ITH 90182
	FLEXIBLE ABUTMENT 4 mm	IPF 15445	D4	25 N.cm	ITH 90183
	FLEXIBLE ABUTMENT 2 mm	IPF 15235	D3	15 N.cm	ITH 90182
	FLEXIBLE ABUTMENT 4 mm	IPF 15435	D3	15 N.cm	ITH 90183
	FLEXIBLE ABUTMENT 2 mm	IPF 15255	D5	30 N.cm	ITH 90182
BIOHORIZONS TAPERED INTERNAL 4.5	FLEXIBLE ABUTMENT 4 mm	IPF 15455	D5	30 N.cm	ITH 90183
	ANGLED FLEXIBLE ABUTMENT 2 mm	IPFA 15255	D4A	30 N.cm	
	ANGLED FLEXIBLE ABUTMENT 4 mm	IPFA 15455	D4A	30 N.cm	
BIONER DM	FLEXIBLE ABUTMENT 2 mm	IPF 08240	D4	25 N.cm	ITH 916155
	FLEXIBLE ABUTMENT 4 mm	IPF 08440	D4	25 N.cm	ITH 916255
BTI EXTERNA UNIVERSAL 4.1	FLEXIBLE ABUTMENT 2 mm	IPF 05242	D4	25 N.cm	ITH 90201
	FLEXIBLE ABUTMENT 4 mm	IPF 05442	D4	25 N.cm	ITH 90203
	ANGLED FLEXIBLE ABUTMENT 2 mm	IPFA 05242	D4A	25 N.cm	
	ANGLED FLEXIBLE ABUTMENT 4 mm	IPFA 05442	D4A	25 N.cm	

EUROTEKNIKA UNEVA+ 3.75 - 4.0	FLEXIBLE ABUTMENT 2 mm	IPF 05240	D4	25 N.cm	ITH 90201
	FLEXIBLE ABUTMENT 4 mm	IPF 05440	D4	25 N.cm	ITH 90203
	ANGLED FLEXIBLE ABUTMENT 2 mm	IPFA 05240	D4A	25 N.cm	
	ANGLED FLEXIBLE ABUTMENT 4 mm	IPFA 05440	D4A	25 N.cm	
MICRODENT UNIVERSAL 4.1	FLEXIBLE ABUTMENT 2 mm	IPF 05242	D4	25 N.cm	ITH 90201
	FLEXIBLE ABUTMENT 4 mm	IPF 05442	D4	25 N.cm	ITH 90203
	ANGLED FLEXIBLE ABUTMENT 2 mm	IPFA 05242	D4A	25 N.cm	
	ANGLED FLEXIBLE ABUTMENT 4 mm	IPFA 05442	D4A	25 N.cm	
MIS SEVEN STANDARD	FLEXIBLE ABUTMENT 2 mm	IPF 15245	D4	25 N.cm	ITH 90182
	FLEXIBLE ABUTMENT 4 mm	IPF 15445	D4	25 N.cm	ITH 90183
	FLEXIBLE ABUTMENT 2 mm	IPF 15235	D3	15 N.cm	ITH 90182
	FLEXIBLE ABUTMENT 4 mm	IPF 15435	D3	15 N.cm	ITH 90183
MIS SEVEN WIDE	FLEXIBLE ABUTMENT 2 mm	IPF 15255	D5	30 N.cm	ITH 90182
	FLEXIBLE ABUTMENT 4 mm	IPF 15455	D5	30 N.cm	ITH 90183
	ANGLED FLEXIBLE ABUTMENT 2 mm	IPFA 15255	D4A	30 N.cm	

	ANGLED FLEXIBLE ABUTMENT 4 mm	IPFA 15455	D4A	30 N.cm	
NEODENT HE 4.1 - 4.3	FLEXIBLE ABUTMENT 2 mm	IPF 05242	D4	25 N.cm	ITH 90201
	FLEXIBLE ABUTMENT 4 mm	IPF 05442	D4	25 N.cm	ITH 90203
	ANGLED FLEXIBLE ABUTMENT 2 mm	IPFA 05242	D4A	25 N.cm	
	ANGLED FLEXIBLE ABUTMENT 4 mm	IPFA 05442	D4A	25 N.cm	
NOBEL ACTIVE NP	FLEXIBLE ABUTMENT 2 mm	IPF 08240	D4	25 N.cm	ITH 916155
	FLEXIBLE ABUTMENT 4 mm	IPF 08440	D4	25 N.cm	ITH 916255
NOBEL BRANEMARK RP	FLEXIBLE ABUTMENT 2 mm	IPF 05240	D4	25 N.cm	ITH 90201
	FLEXIBLE ABUTMENT 4 mm	IPF 05440	D4	25 N.cm	ITH 90203
	ANGLED FLEXIBLE ABUTMENT 2 mm	IPFA 05240	D4A	25 N.cm	
	ANGLED FLEXIBLE ABUTMENT 4 mm	IPFA 05440	D4A	25 N.cm	
PHIBO AUREA EVO NP	FLEXIBLE ABUTMENT 2 mm	IPF 00230	D3	15 N.cm	
	FLEXIBLE ABUTMENT 4 mm	IPF 00430	D3	15 N.cm	
PHIBO AUREA EVO RP	FLEXIBLE ABUTMENT 2 mm	IPF 00240	D4	25 N.cm	
	FLEXIBLE ABUTMENT 4 mm	IPF 00440	D4	25 N.cm	

PHIBO AUREA EVO RP48	FLEXIBLE ABUTMENT 2 mm	IPF 00240	D4	25 N.cm	
	FLEXIBLE ABUTMENT 4 mm	IPF 00440	D4	25 N.cm	
PHIBO AUREA EVO WP	FLEXIBLE ABUTMENT 2 mm	IPF 00240	D4	25 N.cm	
	FLEXIBLE ABUTMENT 4 mm	IPF 00440	D4	25 N.cm	
PHIBO TSA S3	FLEXIBLE ABUTMENT 1 mm	IPF 06140	D4	25 N.cm	
PHIBO TSA S4	FLEXIBLE ABUTMENT 1 mm	IPF 06150	D5	30 N.cm	
PHIBO TSA S5	FLEXIBLE ABUTMENT 1 mm	IPF 06160	D6	30 N.cm	
PHIBO TSH S2	FLEXIBLE ABUTMENT 2 mm	IPF 05231	D3	15 N.cm	ITH 90181
	FLEXIBLE ABUTMENT 4 mm	IPF 05431	D3	15 N.cm	ITH 90182
PHIBO TSH S3 S4	FLEXIBLE ABUTMENT 2 mm	IPF 05242	D4	25 N.cm	ITH 90201
	FLEXIBLE ABUTMENT 4 mm	IPF 05442	D4	25 N.cm	ITH 90203
	ANGLED FLEXIBLE ABUTMENT 2 mm	IPFA 05242	D4A	25 N.cm	
	ANGLED FLEXIBLE ABUTMENT 4 mm	IPFA 05442	D4A	25 N.cm	
PHIBO TSH S5	FLEXIBLE ABUTMENT 2 mm	IPF 05251	D5	30 N.cm	ITH 90205
	FLEXIBLE ABUTMENT 4 mm	IPF 05451	D5	30 N.cm	ITH 90202

STRAUMANN BONE LEVEL NC 3.3	FLEXIBLE ABUTMENT 2 mm	IPF 03235	D3	15 N.cm	ITH 91625
	FLEXIBLE ABUTMENT 4 mm	IPF 03435	D3	15 N.cm	ITH 91635
	FLEXIBLE ABUTMENT 2 mm	IPF 13240	D4	15 N.cm	ITH 91625
	FLEXIBLE ABUTMENT 4 mm	IPF 13440	D4	15 N.cm	ITH 91635
STRAUMANN BONE LEVEL RC 4.1 - 4.8	FLEXIBLE ABUTMENT 2 mm	IPF 03240	D4	25 N.cm	ITH 91625
	FLEXIBLE ABUTMENT 4 mm	IPF 03440	D4	25 N.cm	ITH 91635
	ANGLED FLEXIBLE ABUTMENT 2 mm	IPFA 03240	D4A	25 N.cm	
	ANGLED FLEXIBLE ABUTMENT 4 mm	IPFA 03440	D4A	25 N.cm	
STRAUMANN TISSUE LEVEL RN 4.8	FLEXIBLE ABUTMENT 2 mm	IPF 04250	D5	30 N.cm	ITH 90201
	FLEXIBLE ABUTMENT 4 mm	IPF 04450	D5	30 N.cm	ITH 90203
STRAUMANN TISSUE LEVEL WN 6.5	FLEXIBLE ABUTMENT 2 mm	IPF 04260	D6	30 N.cm	ITH 90201
	FLEXIBLE ABUTMENT 4 mm	IPF 04460	D6	30 N.cm	ITH 90203
ZIACOM HEX EXT NP 3.3	FLEXIBLE ABUTMENT 2 mm	IPF 05231	D3	15 N.cm	ITH 90181
	FLEXIBLE ABUTMENT 4 mm	IPF 05431	D3	15 N.cm	ITH 90182
ZIACOM HEX EXT RP 4.1	FLEXIBLE ABUTMENT 2 mm	IPF 05242	D4	25 N.cm	ITH 90201

	FLEXIBLE ABUTMENT 4 mm	IPF 05442	D4	25 N.cm	ITH 90203
	ANGLED FLEXIBLE ABUTMENT 2 mm	IPFA 05242	D4A	25 N.cm	
	ANGLED FLEXIBLE ABUTMENT 4 mm	IPFA 05442	D4A	25 N.cm	
ZIACOM HEX EXT WP 5.0	FLEXIBLE ABUTMENT 2 mm	IPF 05251	D5	30 N.cm	ITH 90205
	FLEXIBLE ABUTMENT 4 mm	IPF 05451	D5	30 N.cm	ITH 90202
ZIMMER SCREW VENT 3.5	FLEXIBLE ABUTMENT 2 mm	IPF 15235	D3	15 N.cm	ITH 90182
	FLEXIBLE ABUTMENT 4 mm	IPF 15435	D3	15 N.cm	ITH 90183
	FLEXIBLE ABUTMENT 2 mm	IPF 15245	D4	25 N.cm	ITH 90182
	FLEXIBLE ABUTMENT 4 mm	IPF 15445	D4	25 N.cm	ITH 90183
ZIMMER SCREW VENT 4.5	FLEXIBLE ABUTMENT 2 mm	IPF 15255	D5	30 N.cm	ITH 90182
	FLEXIBLE ABUTMENT 4 mm	IPF 15455	D5	30 N.cm	ITH 90183
	ANGLED FLEXIBLE ABUTMENT 2 mm	IPFA 15255	D4A	30 N.cm	
	ANGLED FLEXIBLE ABUTMENT 4 mm	IPFA 15455	D4A	30 N.cm	

# \* instant



GS Impladental, S.L.  
Pol. Ind. Mas d'en Cisa. C/Gato Pérez, 3-9. 08181-Sentmenat (Spain)  
Tel.: +34 937151958 Fax: +34937153997  
e-mail Vigilance: [qualityguarantee@gsimpladental.com](mailto:qualityguarantee@gsimpladental.com)

CE  
0123